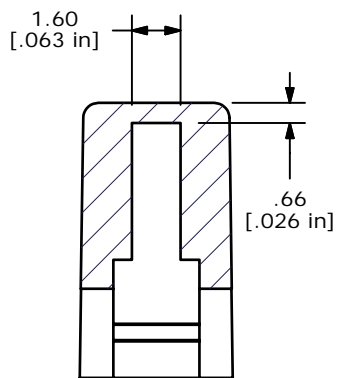
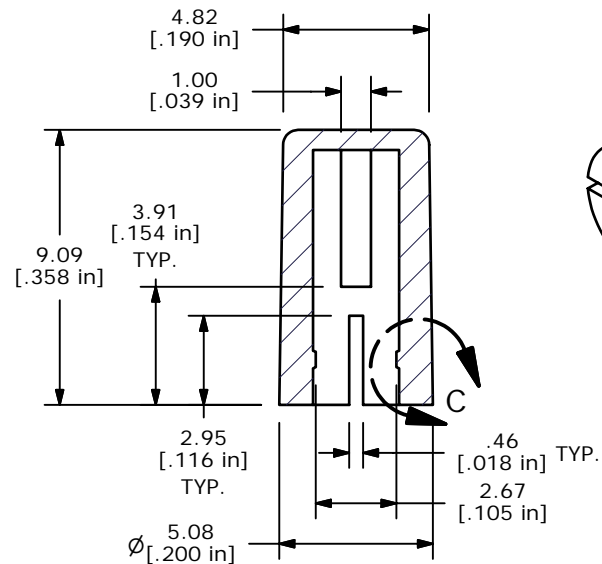


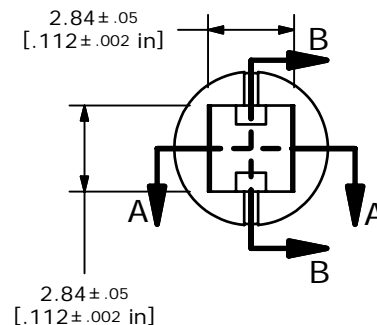
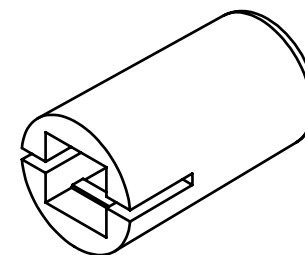
DETAIL C
SCALE 16 : 1



SECTION B-B
SCALE 4 : 1



SECTION A-A
SCALE 4 : 1



NOTES:

1. ALL DIMENSIONS IN MM [INCH]
2. GENERAL TOLERANCE: X.XX=±0.15
- ▲ 3. MATERIAL: ABS, UL94V0
- ▲ 4. COLOR: BLACK, PANTONE 3C
5. ▲ DENOTES CRITICAL PARAMETER.

Parts List			
ITEM	QTY	PART NUMBER	DESCRIPTION
1	1	Q800300	1RBLK

REV	PCR NO	DESCRIPTION	DATE	BY
C	15253	REVISED DESCRIPTION ADDED BOM	9/8/05	PH
B	14913	CHANGED TITLE BLOCK	5/11/05	JB
A	14691	RELEASED FOR PRODUCTION	2/14/05	AR

E-SWITCH®				
TITLE 1RBLK-94V0				
SCALE 4:1	DATE 2/14/2005	DR AR	DWG Q800306	REV C

THE INFORMATION CONTAINED IN THIS DOCUMENT IS PROPRIETARY TO E-SWITCH AND IS NOT TO BE COPIED OR TRANSFERRED